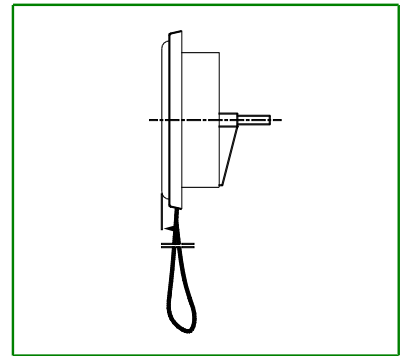
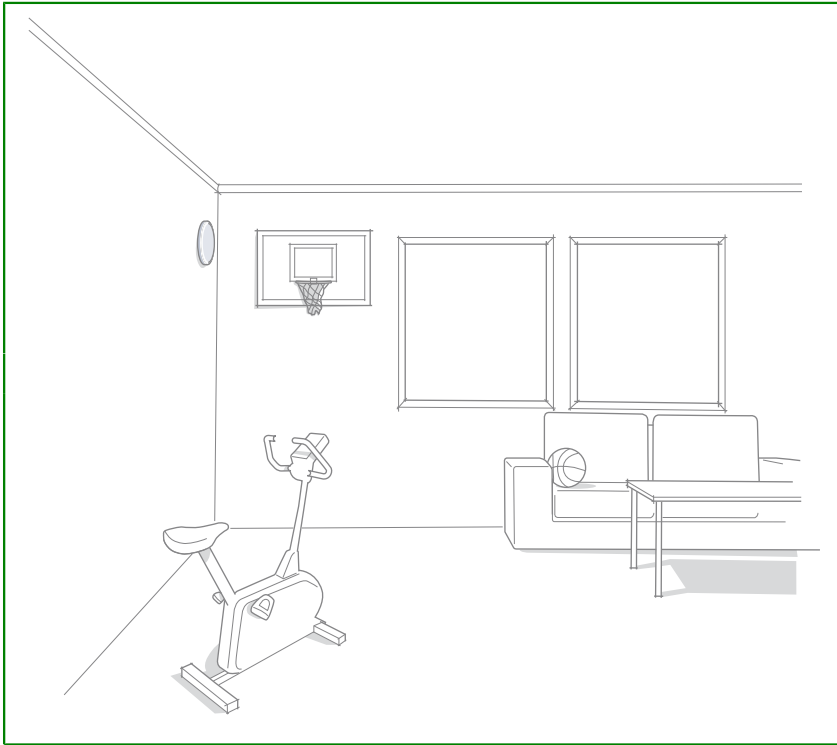


AIRTREND Ltd  
Predstavništvo u Beogradu  
Kumanovska 14, 11000 Beograd  
Tel: 011/3836886, 3085740  
Faks: 011/3444113  
e-mail: gobrid@eunet.rs  
web: www.airtrend.rs

## PSV Shut-off valve



PSV is a shut-off valve designed to be used for natural ventilation.

### Product Facts

- Quick and smooth regulation of the valve
- Easy to install

### Product code example

Shut-off valve PSV-100

# Application, dimensions and weights, product code

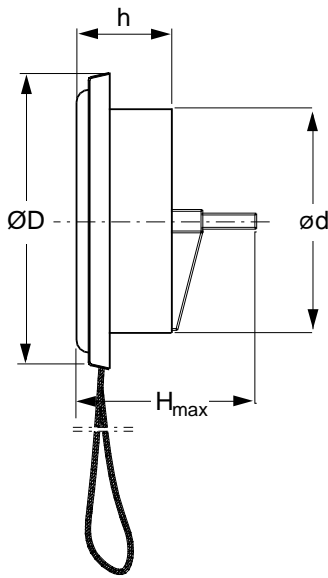
## Application

The PSV valve is designed to be used for natural ventilation. The valve has a slide mechanism, which enables a quick and smooth regulation of the valve. The valves are delivered individually wrapped.

## Material

PSV is made of sheet steel and stove-enamelled white RAL 9010.

## Dimensions and weights



Size	ØD [mm]	ød [mm]	h [min] [mm]	h [max] [mm]	Hmax [mm]	Weight [g]
100	140	98	57	90	121	350
125	165	123	62	95	121	450
160	200	158	65	98	121	650

## Installation

Fix the valve casing to the wall or into the duct with screws. Fix the U-shaped rail to the valve disc with a screw. Slip the rail into the groove in the casing. Check the proper functioning of the ropes.

## Product code

**Shut-off valve**

**PSV-aaa**

Size (aaa)

100, 125, 160